

1

2

3

REVISION HISTORY			
REV	DESCRIPTION	DATE	APPROVED

3GVR-316SS-HOLDER sensor holder for HOT-TAP valve retractable installations is shown on top (Item # 14069)

316SS FULL PORT BALL VALVE, TEFLON SEATS & FERRULES, HOTTAP-ASSY-1 1/2"-316SS-TEFLON (Item # 14016)
 1.5" NPT Ball Valve Assembly (without insertion tube assy)
 HOTTAP-ASSY-2"-316SS-TEFLON (Item # 14030)
 2.0" NPT Ball Valve Assembly (without insertion tube assy)

Extension tube part number is 3GVR-316SS-EXT-XX" where XX is the desired length in inches of the tube
 Item numbers 1407X for various lengths are shown in chart:

EXTENSION TUBE LENGTH OPTIONS	
14070	Not for use with Ball Valve
14071	Insertion Depth 18 Inches
14072	Insertion Depth 30 Inches
14073	Insertion Depth 42 Inches

3GVR-316SS-EXT-12" - 12 Inch Extension Tube (14070)
 (Use in compression fitting only installations - NO HOT-TAP)

3GVR-316SS-EXT-36" - 36 Inch Extension Tube (14071)
 18 Inches max insertion depth past HOT-TAP interface

3GVR-316SS-EXT-48" - 48 Inch Extension Tube (14072)
 30 Inches max insertion depth past HOT-TAP interface

3GVR-316SS-EXT-60" - 60 Inch Extension Tube (14073)
 42 Inches max insertion depth past HOT-TAP interface


INSERTION DEPTH
 (SEE TO RIGHT)

NOTES

- All dimensions are in inches, unless otherwise indicated
- Material of construction is 316L Stainless Steel, others available upon request (as special orders)
- O-ring material of construction is Viton-75, others upon request
- Only use with ASTI 5X31, 5X41 & 5XX0 series sensors. See procedures for proper insertion of sensor into holder.
- Max pressure 100 psig, max temp 150 deg Celsius. Do not use any sensor beyond specified limits.
- HOT-TAP ball valve retractable assy must be installed at an angle as shown (Min 15 degrees below horizontal)

TOLERANCES	
1 Place: ± .1	3 Places: ± .005
2 Places: ± .01	4 Places: ± .0005
Angular: ± 0.25°	

DRAWN BY RH
CHECKED BY TADP
APPROVED BY MJP

		Advanced Sensor Technologies, Inc. Orange, California USA Toll-Free: 888-969-2784	
TITLE HOT-TAP Assembly Drawing Inserted View			
SIZE B	PROJECT SAN / VR	DRAWING NO. HOT-TAP INSERTED	REV /
SCALE Not to Scale	MODEL Various	SHEET 1	OF 1

1

2

3

A

A

B

B

1

2

3

REVISION HISTORY

REV	DESCRIPTION	DATE	APPROVED

MAX TUBE EXT. PAST HOT-TAP	
14070	Not for use with Ball Valve
14071	Max 33 Inches
14072	Max 45 Inches
14073	Max 57 Inches

MAX TUBE EXTENSION PAST HOT-TAP ASSEMBLY

1.25"X1.00" STEP FOR BLOWOUT PROTECTION

MAXIMUM ASSEMBLY LENGTH RETRACTED

MAX RETRACTED ASSY LENGTH	
14070	Not for use with Ball Valve
14071	Max 55 Inches
14072	Max 67 Inches
14073	Max 79 Inches

NOTES

- All dimensions are in inches, unless otherwise indicated
- Material of construction is 316L Stainless Steel, others available upon request (as special orders)
- O-ring material of construction is Viton-75, others upon request
- Only use with ASTI 5X31, 5X41 & 5XX0 series sensors. See procedures for proper insertion of sensor into holder.
- Max pressure 100 psig, max temp 150 deg Celsius. Do not use any sensor beyond specified limits.
- HOT-TAP ball valve retractable assy must be installed at an angle as shown (Min 15 degrees below horizontal)
- 1/2" MNPT sealing cable glands available in a variety of plastic and metal materials of construction
- Optional secondary blowout protection is wire rope harness on 1/2" MNPT metal cable gland (not shown)



Advanced Sensor Technologies, Inc. Orange, California USA Toll-Free: 888-969-2784

TOLERANCES			
1 Place: ± .1	3 Places: ± .005		
2 Places: ± .01	4 Places: ± .0005		
Angular: ± 0.25°			

DRAWN BY RH
CHECKED BY TADP
APPROVED BY MJP

TITLE HOT-TAP Assembly Drawing Retracted View			
SIZE B	PROJECT SAN / VR	DRAWING NO. HOT-TAP RETRACTED	REV /
SCALE Not to Scale	MODEL Various	SHEET 1	OF 1

1

2

3

A

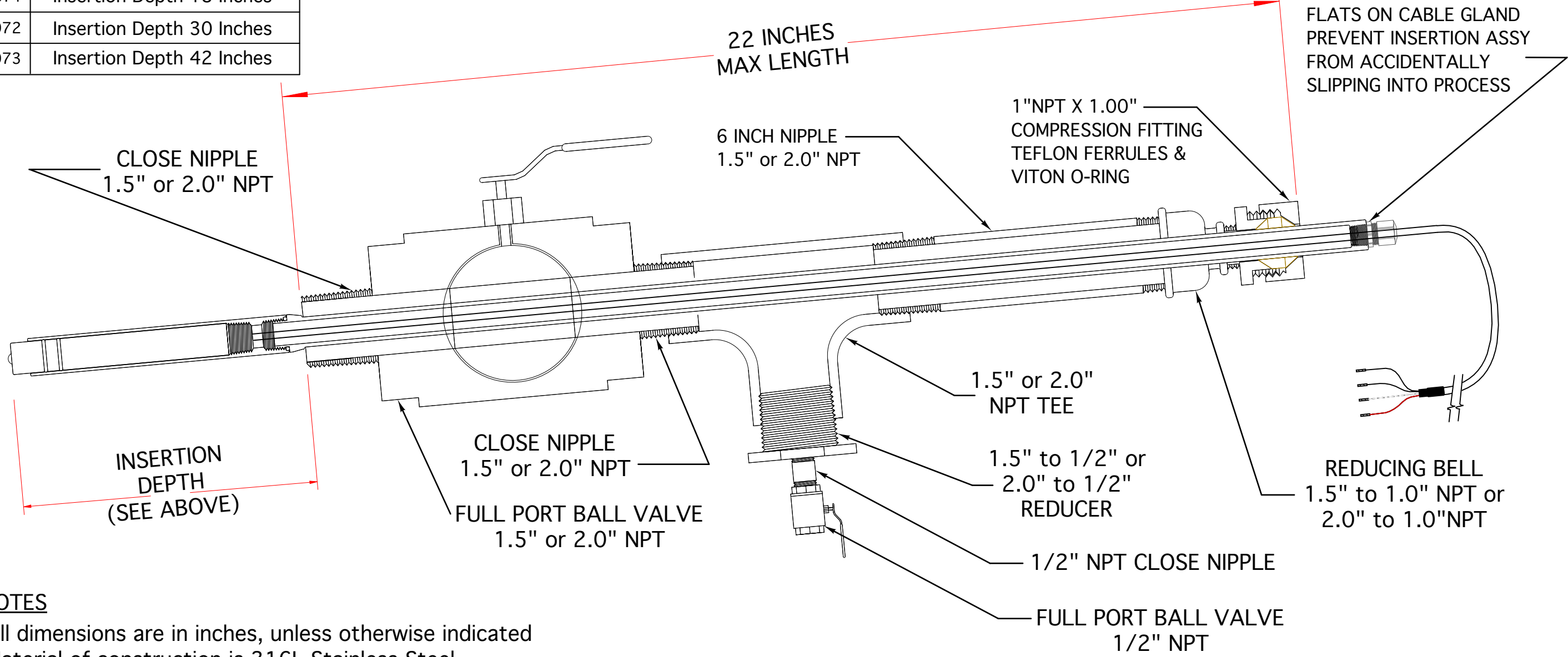
A

B

B

EXTENSION TUBE LENGTH OPTIONS	
14070	Not for use with Ball Valve
14071	Insertion Depth 18 Inches
14072	Insertion Depth 30 Inches
14073	Insertion Depth 42 Inches

REVISION HISTORY			
REV	DESCRIPTION	DATE	APPROVED



NOTES

1. All dimensions are in inches, unless otherwise indicated
2. Material of construction is 316L Stainless Steel, others available upon request (as special orders)
3. O-ring material of construction is Viton-75, others upon request
4. Only use with ASTI 5X31, 5X41 & 5XX0 series sensors. See procedures for proper insertion of sensor into holder.
5. Max pressure 100 psig, max temp 150 deg Celsius. Do not use any sensor beyond specified limits.
6. HOT-TAP ball valve retractable assy must be installed at an angle as shown (Min 15 degrees below horizontal)

TOLERANCES	
1 Place: ± .1	3 Places: ± .005
2 Places: ± .01	4 Places: ± .0005
Angular: ± 0.25°	

DRAWN BY RH
CHECKED BY TADP
APPROVED BY MJP

ASTI *Advanced Sensor Technologies, Inc.*
Orange, California USA
Toll-Free: 888-969-2784

TITLE HOT-TAP Assembly Drawing Detail View			
SIZE B	PROJECT SAN / VR	DRAWING NO. HOT-TAP ASSY DETAILS	REV /
SCALE Not to Scale	MODEL Various	SHEET 1	OF 1

1

2

3

1

2

3

A

A

B

B