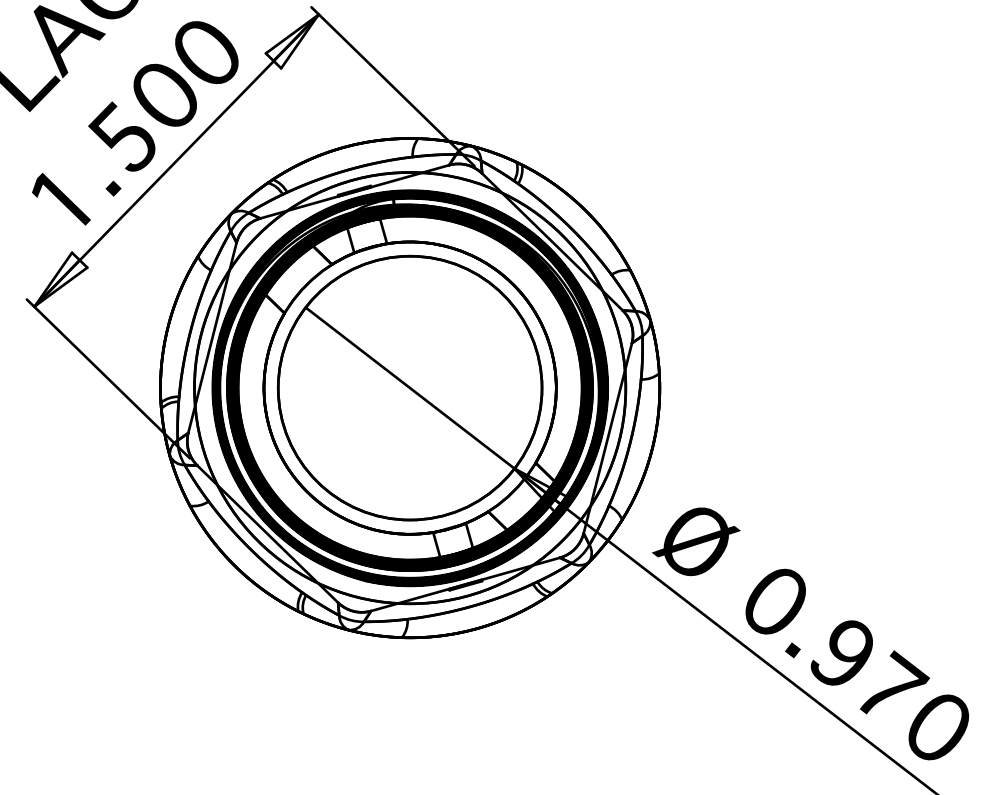


WRENCH FLATS
6 PLACES



NOTES

1. All dimensions are in inches and intended for reference purposes only. No specific tolerance is guaranteed.
2. Receptacle material of construction is either KYNAR (Item # 14003, 1"MNPT-TWISTLOCK-KYNAR-SS) for use up to 50 psig or PEEK (Item # 14024, 1"MNPT-TWISTLOCK-PEEK-HASTC) for use up to 100 psig
3. Material of construction for locking pins to secure twist lock bayonet feature is Stainless Steel for KYNAR Receptacles & Hastelloy C-276 for PEEK Receptacles
4. 1" MNPT Twist Lock receptacle should be used with ASTI Twist Lock Sensors for inline installations.
5. Do not use any sensor beyond the factory defined maximum temperature or pressure rating.

TOLERANCES	
1 Place: ± N/A	3 Places: ± N/A
2 Places: ± N/A	4 Places: ± N/A
Angular: ± N/A	

DRAWN BY
RH

CHECKED BY
TADP

APPROVED BY
MJP

ASTI		Advanced Sensor Technologies U.S.A. Website: http://www.astisensor.com	
TITLE 1" MNPT Twist Lock Receptacle Dimensions			
SIZE B	PROJECT TWIST-LOCK	DRAWING NO. Twist Lock Receptacle	REV /
SCALE Not to Scale	MODEL 1"MNPT-TWISTLOCK	SHEET 1	OF 1