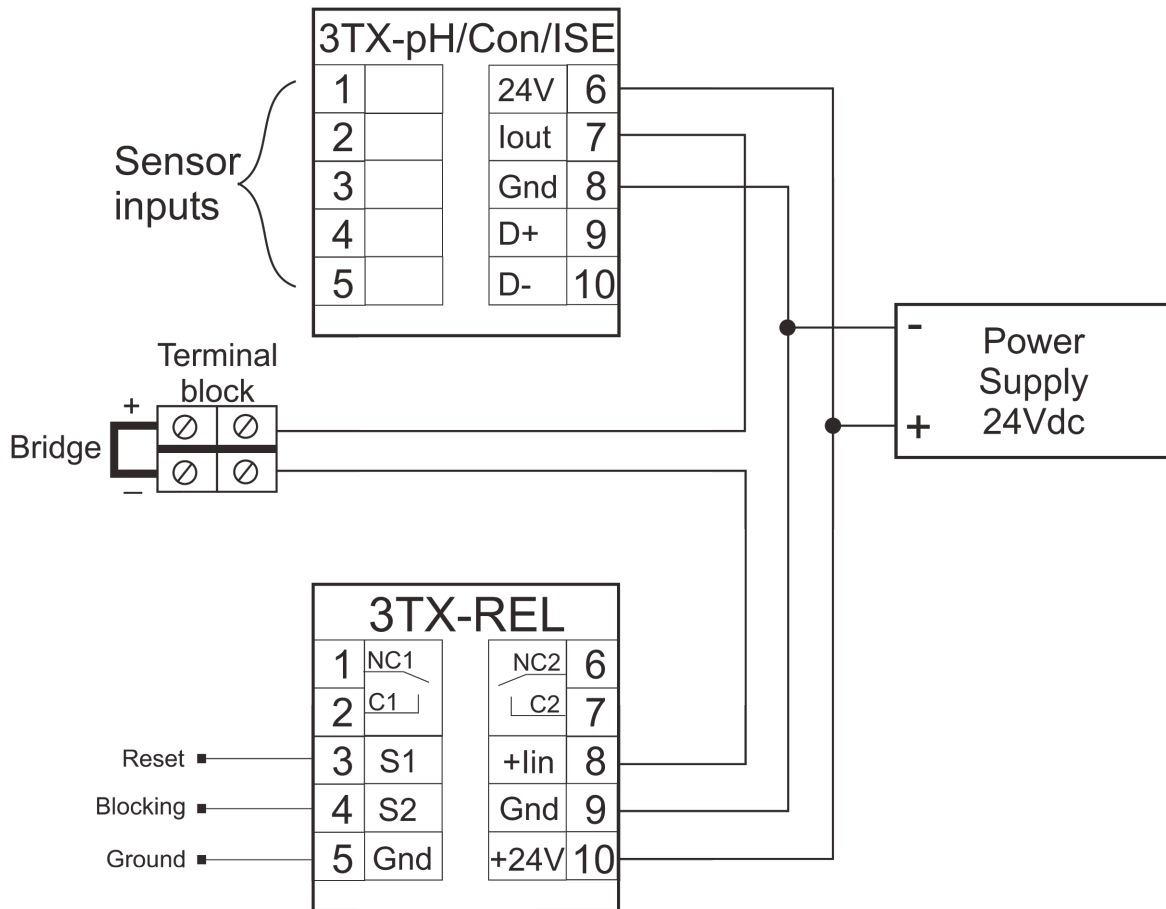


Wiring Schematic for 3TX Measurement Transmitters (3TX-pH, 3TX-CON or 3TX-ISE) when used together with 3TX-REL Relay Module and a 4-20mA Output is Required to connect with additional Data Acquisition or Control Devices



If you wish to “insert” an external device into the current loop, it can be done by removing the bridge jumper and connecting the two terminals to the external device (“+” to device input and “-” to device output, which may also be device ground). If no external device is to be connected, the bridge jumper must be in place to ensure normal operation of the 3TX-REL relay module.